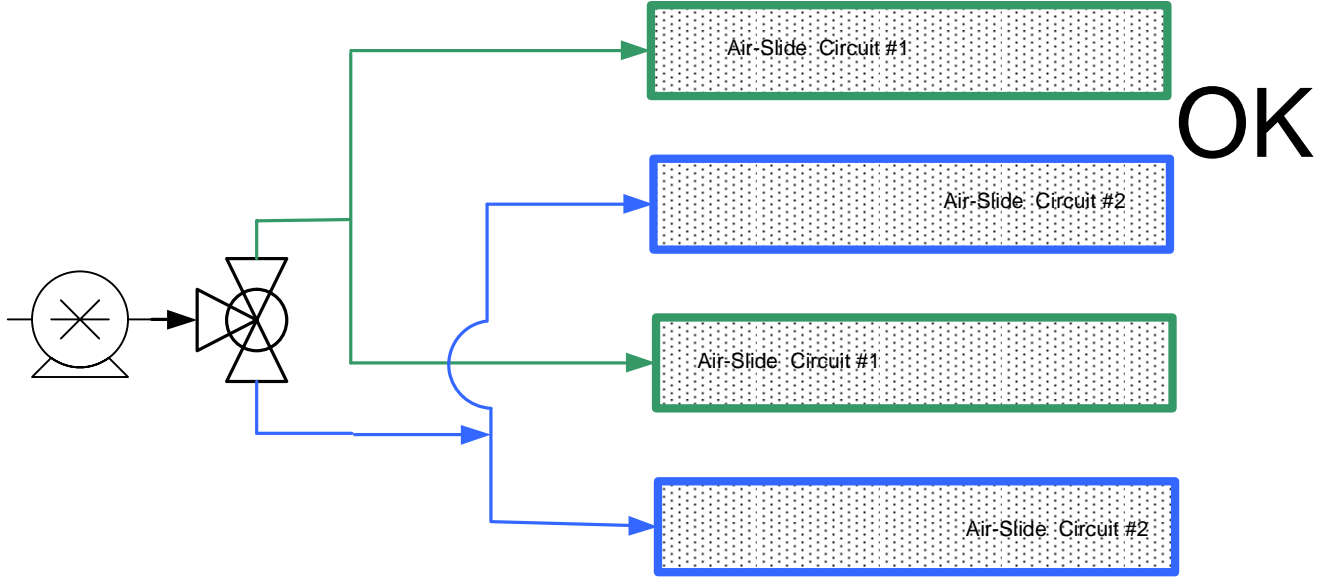


PIPE ARRANGEMENTS

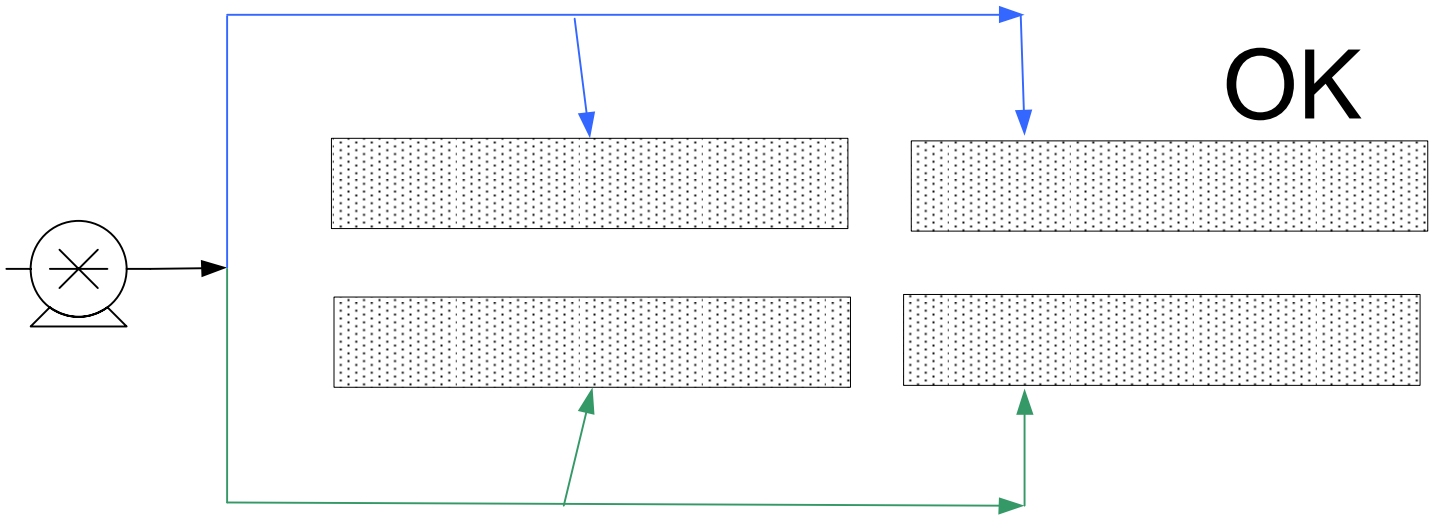
Separately Piped Alternating Air-Slide Arrangement

This is the perfect arrangement for the TEI Fluidizer, however; this is only practical when designing a new facility. This arrangement provides adjacent air-slide with alternating pulses that can destabilize any piles of cement laying between the air-slides.



Separately Piped Air-Slide Arrangement

Each pipe elbows and tees will only slightly reduce the Pneumatic Modulation effects. This arrangement is typical of most existing silos and domes and is very suitable for TEI Fluidizer. The arrangement is also easily separated into two separate air supply circuits.



Daisy-Chained Air-Slides

Provides a strong muffler effect that destroys the Pneumatic Modulation effects. This air-slide connection arrangement is generally not recommended for TEI Fluidizer

